

## TIAM (BS2000/OSD) Version 13.1 Terminal Interactive Access Method

Issue October 2004

Pages 3

### Terminal Interactive Access Method for Timesharing

TIAM is the access method for interactive mode.

The dialog between the terminal user and the computer consists of a spontaneous, non-prestructured sequence of commands taken from the command language of the operating system.

These commands, which are input directly at the terminal in interactive mode, enable the following functions (among others) to be performed:

- file editing,
- sorting,
- compiling and interactive program testing
- initiation of batch jobs,
- activation of different character sets,
- display and modification of terminal characteristics.

Even user-written programs can be executed in interactive mode. They are started from the terminal by a command. The relevant macro instructions, COBOL-CALL calls, and FORTRAN, PL/I and C interfaces are available at the program interface for terminal input and output, including the handling of 'logical' terminals.

Interactive operation is possible with all processors with BS2000 in the computer network from one terminal. The terminal user hits the allocation to the required computer using the network access language. Interactive access in accordance with POSIX is possible.

### Functional Description

From version 12.0 TIAM is a BS2000 subsystem and supports HIPLEX functionality in BS2000/OSD V3.0.

TIAM receives connection requests from the terminal, initiates a separate task for each connection (i.e. for each terminal), clears the connection down at the request of the terminal user, and releases the resources.

In connection setup, the terminal operator enters the user ID, account number and password (not displayed). TIAM checks the validity of these details and rejects unauthorized connection requests.

The terminal user operates TIAM in system mode or program mode. Switching between these modes is possible at any time.

In program mode the terminal user communicates exclusively with a program which he has called (EXEC or LOAD command).

In system mode, the terminal operator works directly with the system with the help of the BS2000 command language.

Commands are available

- for controlling task execution,
- for processing files,
- for reserving devices and data media,
- for controlling task execution,
- for querying current values,
- for operating terminals,
- for displaying the characteristics of the terminal, and
- for modifying the logical attributes of the terminal.

TIAM requests the user to enter further information by means of a prompting message.

TIAM provides the application programmer with simple program calls for controlling input/output, for changing and defining terminal attributes, and for querying process attributes.

In conjunction with VTSU-B or FHS, TIAM provides terminal support at logical level in the form of the logical line/page terminal or the logical format terminal. These functions are available for programming in Assembler, COBOL (COBOL-CALL interface), FORTRAN, PL/I, and C .

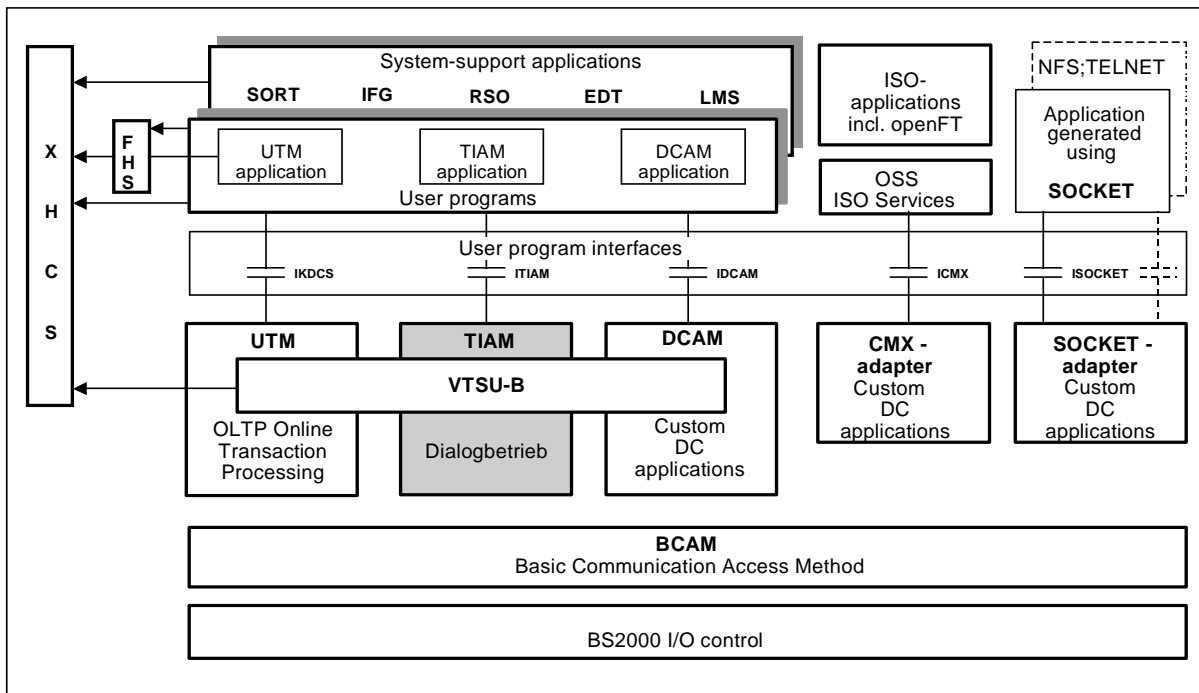


Figure: TIAM (BS2000) in the system environment

**Technical data**

**Hardware**

System 7.500

Terminals:	Terminal printers*):
8162 1)	8121 3)
8160	9025
9748, 9750,	8122 3)
9751 1)	9003 5)
9752 1)	9002 2,3)
9753 1)	9001 4)
9749	9004 4)
9755, 9756 7), 9758 7),	9012
9762	9013 5), 9014
9759, 9763, PC with	9022,
Emulation MT9750,	9011, 4011,4813
SINIX EM9750	3287
3270 6),	9021 HP LJII/III, 4810-4812,
	4815, 4819-4821, 4824
	9014

Other devices (do not support new functions! )

Terminals: 8150, 8151, 8152,  
Hard copy terminals: 8103, PT 80

NB.: The list includes currently relevant terminal types or comparable types. The terminals/terminal printers listed are sorted according to device type.

- 1) can also be generated as 8160 or 9750
- 2) can also be generated as 8122.
- 3) If connected to 8112, only 1 printer per 8112. No bypass via 8170 and ITC.
- 4) 9001 and 9004 via terminal SS97 interface only
- 5) No bypass via 8170 and ITC.
- 6) 3270 System: 3278, 3279 and 3180 attached to SNA-compatible 3274 or 3276 controllers, with a 328x printer as a local hard copy unit
- 7) support as for 9755
- \*) All printers have manual or program-controlled print resolution.

**Software**

BS2000/OSD-BC V5.0, openNet Server V2.0

Note:

The TIAM access method is now also an essential prerequisite for BS2000 operation, in addition to the openNet Server.

**Operating mode**

Interactive mode

**Implementation language**

Assembler, SPL 4

**User interface**

configurable: German/English

**Installation**

By the user.

**Documentation**

TIAM (BS2000/OSD) V11.2 User Guide plus  
TIAM V13.1 readme file

BS2000/OSD-BC V5.0 User Commands User Guide,  
BS2000/OSD-BC V5.0 Executive Communication Macros,  
User Guide

VTSU (BS2000/OSD, TRANSDATA) User Guide

XHCS (BS2000/OSD) 8-bit Code Processing in  
BS2000/OSD Internationalization User Guide

The documentation is also available as online manuals,  
see <http://manuals.fujitsu-siemens.com/mainframes.html>.

**Demands on the user**

Knowledge of BS2000/OSD (DSSM)

**Training**

Courses are held at the Training Center of Fujitsu Siemens Computers under the currently valid conditions.

**Conditions**

This software product is supplied to the customer in accordance with the conditions of our contract for the use of software products against a single payment/installments.

### Warranty

Class: A

Delivery format: Machine language

### Ordering and delivery

This software product may be obtained from your local Fujitsu Siemens Computers regional office.